

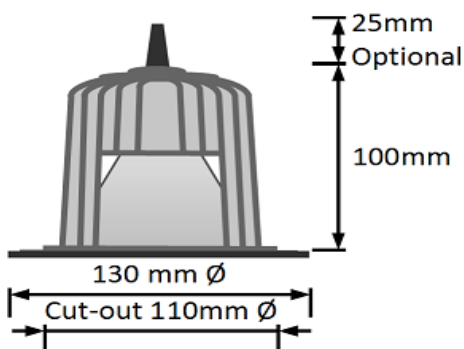


## Specification

<i>Delivered Lumens</i>	1150 to 3150 lm
<i>CCT</i>	3000 & 4000K
<i>Ra</i>	80 & 90 Ra
<i>LED module</i>	Tridonic Gen 4 select / Classic
<i>LED Driver</i>	Tridonic
<i>Input current</i>	Dependant on output
<i>System power</i>	< 28.5w
<i>System efficacy</i>	< 114 lpw
<i>Colour stability</i>	SDCM* 3
<i>Weight</i>	0.77 Kg.
<i>Lumen maintenance @ 60,000</i>	L70
<i>Lead length Driver-Luminaire</i>	500mm

\* Standard deviation colour matching, as a Macadams ellipse

## Dimensions



## Application

An attractive compact led luminaire designed for commercial applications, reception area's, offices, corridors etc.

- High system efficacy
- Easy installation
- Dimmable & Emergency version
- Die cast aluminium, passive cooling
- Easy twist and lock cast bezel
- Low maintenance
- Decorative attachments available ie Opal Dome

## Options

<i>IP44 Clear lens</i>	.IP44CL	<i>White bezel</i>	.WH
<i>IP44 Satin lens</i>	.IP44SA	<i>Polished chrome</i>	.PC
<i>IP54 Clear lens</i>	.IP54CL	<i>Brushed chrome</i>	.BC
<i>IP54 satin lens</i>	.IP54SA	<i>3hr Emergency</i>	.EM
<i>Dali dimmable</i>	.DALI	<i>3 hr DALI Emergency</i>	.EMDALI
<i>28 ° Reflector</i>	.NB	<i>Self test Emergency</i>	.EMST
<i>44 ° Reflector</i>	.WB		

