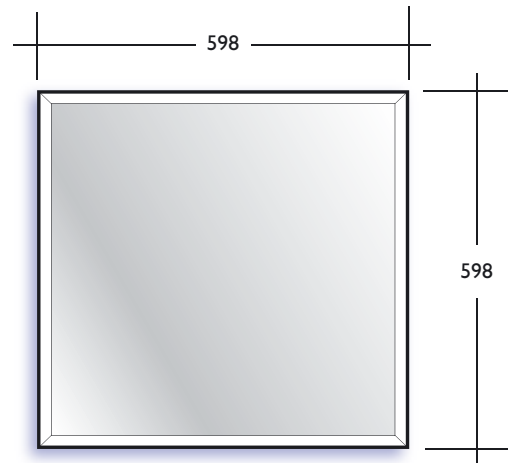
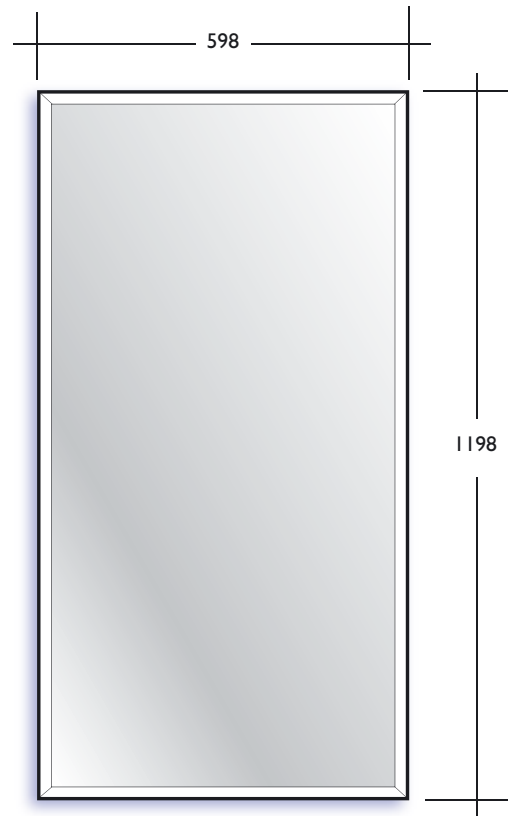


LOUIS LED PANEL LUMINAIRE



LOU 66



LOU 126

The Louis Led Panel luminaire is a Low Energy, Flicker Free, Low Heat producing led lighting panel with a minimum life span of 50,000 hours. The result is a Highly Efficient and Environmentally Friendly recessed modular luminaire suitable for most commercial and retail applications. The Aesthetically pleasing panel is framed in a 14mm deep ultra thin aluminium profile, ideal for installations where shallow ceiling voids are an issue.

The range of luminaires, incorporate three colour temperature options and two luminaire sizes suitable for both 600mm x 600mm and 1200mm x 600mm exposed tee ceilings.

Part No.	Nominal size (mm)	Watt	Lumens	Weight
LOU 66	600 x 600	39W	2420	4.7kg
LOU 126	1200 x 600	76W	4510	9.5kg

For Colour Temperature 3500K suffix /**35**

For Colour Temperature 4500K suffix /**45**

For Colour Temperature 6000K suffix /**60**

For Dimmable suffix /**DIM**

For Remote Emergency suffix /**EMR**

i.e. LOU 66/45/DIM (Louis 600 x 600, 4500k Dimmable LED Panel)

Light Distribution Graph – LOU66 6000k

Height (M)	Area	Illumination Intensity
0.5	0.57	1884
1.0	1.09	596
1.5	1.73	275
2.0	2.30	156
2.5	2.88	113
3.0	3.46	82