

RE8 & SE8 EMERGENCY KIT



The RE8/ SE8 is an unobtrusive emergency LED downlighter ideal for most commercial and retail applications.

The Non Maintained downlighter will operate for 3 hours during mains power failure and is fitted with a green LED charge light. The Simple plug and play connections make the RE8/ SE8 a simple and effective alternative to obtrusive emergency luminaires. There are two options available within the range, the standard 110° wide beam optic and a corridor optic making the luminaire suitable for various applications.

Part No.	Description	Cutout
RE/8	3Watt 110° Recessed LED (with Green Charge LED)	40mm
SE/8	3Watt 110° Surface LED (with Green Charge LED)	40mm

Supplied with Plug-and-play inverter and battery.

For Corridor Optic suffix /CR For EM Pro Dali option suffix /EMP

For White option suffix /W For Silver option suffix /S For Self Test option suffix /ST

For Circular Surface option suffix /CS For Square Surface option suffix /SQ

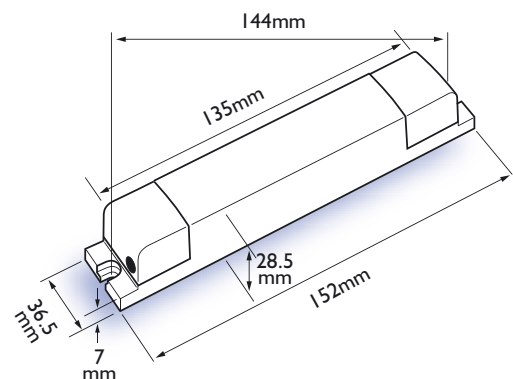
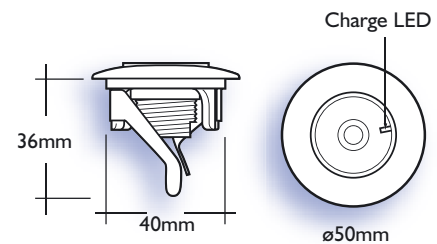
For Wide Beam Optic suffix /OA

Corridor Optic

Mounting Height (m)	Along Corridor (Length)						Across Corridor (Width)					
	To Wall			Between Fittings			To Wall			Between Fittings		
Lux level	0.2	0.5	1.0	0.2	0.5	1.0	0.2	0.5	1.0	0.2	0.5	1.0
2.5m	5.4	4.6	4.0	12.5	10.3	9.1	2.3	1.8	1.5	6.4	4.1	3.4
3.0m	6.1	5.2	4.3	13.8	11.6	10.2	2.5	2.0	1.6	6.4	4.5	3.8
4.0m	7.3	5.9	3.6	16.5	13.9	11.7	2.8	2.2	1.5	6.6	5.2	4.2
5.0m	8.4	5.9	2.4	19.0	15.7	11.4	3.2	2.2	1.3	7.3	5.8	4.3
6.0m	9.1	4.7	-	21.4	16.6	9.2	3.4	2.1	-	8.0	6.1	4.1
8.0m	9.1	1.7	-	25.0	14.0	2.3	3.5	1.0	-	9.2	5.9	1.3

Wide Beam Optic

Mounting Height (m)	To Wall			Between Fittings		
	0.2	0.5	1.0	0.2	0.5	1.0
2.5m	4.0	3.7	3.3	8.9	7.7	7.2
3.0m	4.6	4.2	3.7	9.9	8.9	8.2
3.0m	5.8	5.1	1.6	12.3	11.1	8.8
3.0m	6.8	5.6	-	14.7	13.1	6.8
3.0m	7.8	1.1	-	17.0	11.1	2.1
3.0m	8.9	-	-	20.9	6.1	-



LED environment